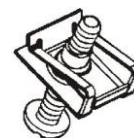


**EUROFIX**®

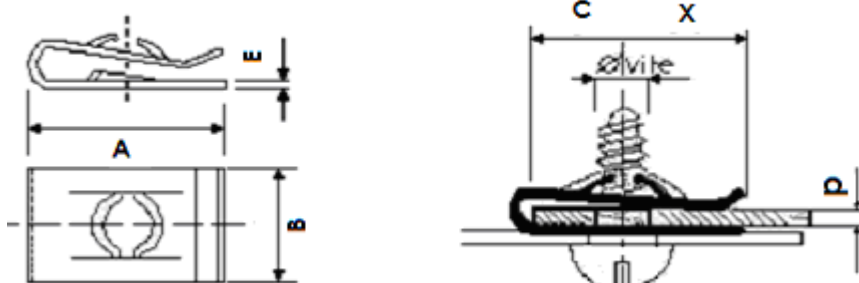
Fastening Systems

*Catalogo tecnico*

Revisione 01 del 01/01/06



*Clips per Viti Parker*  
*Clips for Parker Screw*



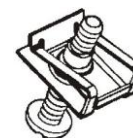
Vite Ø	Spess. pannello	A	B	C	X	E	tipo	Codice
2.9	0.4-1.5	11.5	9.0	6.2	5.0	0.5	B	FX70383
2.9	1.5-2.5	10.5	8.0	5.0	5.0	0.5	A	FX70385
2,9	3,5-4,0	10,5	7,5	5,0	5,0	0,5	F	FX70339
3.5	0.5-1.5	11.5	9.0	6.2	5.0	0.5	B	FX70318
3.5	1,4-2.5	11,2	9.0	6,2	6.0	0.5	B	FX70521
3,5	1,4-2,5	14,5	9,0	8,0	6,0	0,5	B	FX70333
3.5	1.5-2.5	14.5	12.0	8.0	6.0	0.5	B	FX70387
3,5	1,5-3,0	10,5	10,0	5,0	5,5	0,4	A-G	FX70511
3,5	2,6-3,0	11,8	9,0	5,5	6,0	0,6	A	FX70350
3.5	2.0-3.0	16.4	10.0	9.0	5.5	0.5	A	FX70303
3.5	2.5-3.5	16.0	10.0	10.0	5.4	0.6	A	FX70355
4.2	0,3-1,5	11,2	9,0	6,2	4,5	0,5	B	FX79826
4.2	0.6-1.5	15.0	12.0	8.0	5.5	0.5	A	FX70432
4,2	1,0-1,6	10,7	9,0	4,5	4,4	0,6	B	FX79759
4.2	1.0-2.0	16.0	11.0	8.0	7.5	0.5	A	FX70337
4,2	0,8-1,6	12,0	8,0	5,5	5,0	0,5	A	FX79629
4,2	1,5-3,0	13,7	12,0	6,2	5,7	0,6	A	FX79808
4,2	2,5-3,5	13,0	11,0	6,0	5,8	0,5	A	FX79722
4,2	2,0-3,0	17,0	11,0	8,4	7,0	0,6	A	FX79537
4.2	3.0-4.0	16.0	11.0	8.0	7.0	0.5	B	FX70389
4.2	2.5-3.5	16,5	10.0	8.5	7.0	0.5	A	FX70364
4.2	3.0-4.0	24.0	11.0	16.0	7.5	0.7	B	FX70388
4.2	5.0-7.0	20.0	10.0	10.0	9.0	0.6	G	FX79624



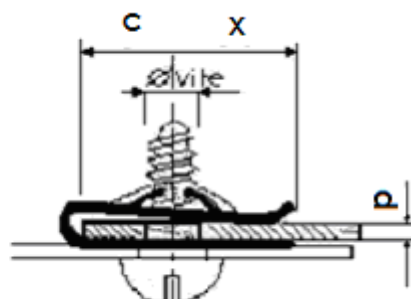
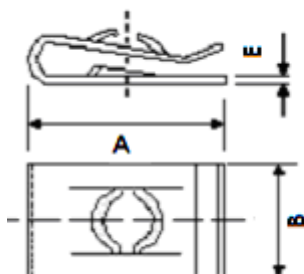
- Tolleranza generale  $\pm 0.3$
- Materiale: acciaio per molle e acciaio Inox

- General tolerance  $\pm 0.3$
- Material: spring steel and stainless steel

- Generaltoleranz  $\pm 0.3$
- Werkstoff: Federbandstahl und rostfreier Stahl



*Clips per Viti Parker*  
*Clips for Parker Screw*



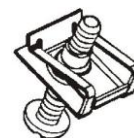
Vite Ø	Spess. pannello	A	B	C	X	E	tipo	Codice
4,8	0,3-2,5	19,5	12,0	9,0	8,2	0,7	A	FX79812
4,8	0,8-1,5	15,0	12,0	6,5	6,8	0,7	B	FX70443
4,8	1,5-2,4	15,0	12,0	6,5	6,5	0,5	B	FX70306
4,8	0,5-2,0	26,0	9,0	9,0	10,0	0,6	A	FX70371
4,8	0,8-2,3	15,5	12,0	8,0	6,0	0,7	A	FX70341
4,8	1,5-3,0	20,6	12,0	9,5	9,2	0,7	A	FX70361
4,8	1,0-3,0	17,0	11,0	9,0	7,5	0,5	B	FX70384
4,8	2,5-3,2	15,7	12,0	9,2	6,5	0,7	A	FX70316
4,8	2,0-3,5	25,6	10,0	13,0	10,0	0,7	A	FX70444
4,8	3,0-4,0	17,0	11,0	10,0	7,0	0,7	A	FX70354
4,8	2,0-5,0	18,5	16,0	9,0	9,5	0,8	B	FX79709
4,8	3,0-5,0	26,0	10,0	14,0	10,0	0,7	A	FX70366
5,5	0,8-1,6	19,0	16,0	8,0	9,0	0,8	B	FX70390
5,5	1,5-2,5	18,8	16,0	8,0	8,5	0,8	B	FX70343
5,5	2,5-3,5	19,2	16,0	8,8	8,8	0,8	B	FX70391
5,5	4,5-5,0	18,0	16,0	8,0	8,0	0,8	B	FX70392
6,3	0,5-3,0	34,0	19,0	24,0	8,4	1,0	D	FX70393
6,3	2,5-4,5	34,0	19,0	24,0	8,4	1,0	D	FX70394



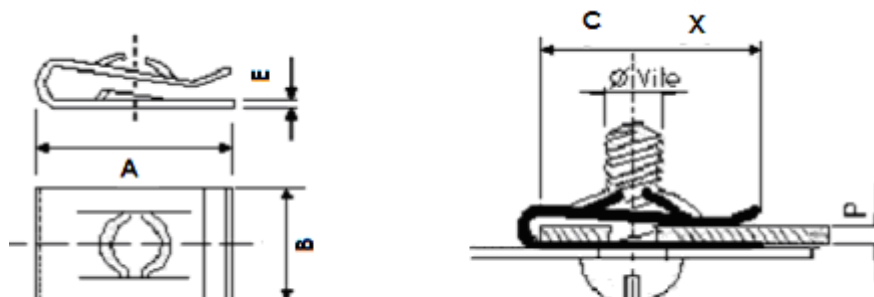
- Tolleranza generale  $\pm 0.3$
- Materiale: acciaio per molle e acciaio Inox

- General tolerance  $\pm 0.3$
- Material: spring steel and stainless steel

- Generaltoleranz  $\pm 0.3$
- Werkstoff: Federbandstahl und rostfreier Stahl



## Clips per Viti Metriche Clips for Metric- Screw



Vite	Spess. pannello	A	B	C	X	E	tipo	Codice
M 3	0,4-1,9	9,6	6,0	4,2	5,0	0,3	A	FX70322
M 3	0,4-1,3	12,1	8,0	6,0	5,0	0,3	G	FX79832
M 3	2,4-3,2	11,6	8,0	4,5	5,0	0,3	A	FX70224
M4	1,0-2,0	18,1	10	8,5	8,0	0,4	A	FX79736
M 4	0.5-2.0	18.0	10.0	8.7	10.5	0.4	D-G	FX79501
M 4	1.4-2.0	15.0	12.0	8.0	5.5	0.4	A	FX70367
M 4	2.0-3.0	20.3	12.0	9.0	10.0	0.5	B	FX70338
M 4	2.6-3,8	20,9	12,0	7,2	11,0	0,4	A	FX79622
M 4	2.5-4.0	17.6	10.0	7.0	8.0	0.4	A	FX70302
M 5	0.6-1.5	15.0	12.0	6.5	6.5	0.6	B-E	FX70368
M 5	1.0-2.5	20.0	12.0	8.0	10.0	0.5	B	FX79532
M 5	1.5-3.0	14,4	12,0	6,0	6,8	0,7	D	FX79626
M 5	2.5-4.0	20.0	12.0	7.5	10.0	0.5	A-B	FX70300
M 6	0.5-1.5	16.0	16.0	8.0	6.6	0.5	B	FX70363
M 6	1,0-1,8	16,6	16,0	8,4	6,6	0,5	B	FX70519
M 6	1.3-3.0	16.4	16.0	8.5	6.6	0.5	B	FX70301
M 6	2.5-4.0	24.0	14.0	9.0	14.0	0.5	A	FX70522



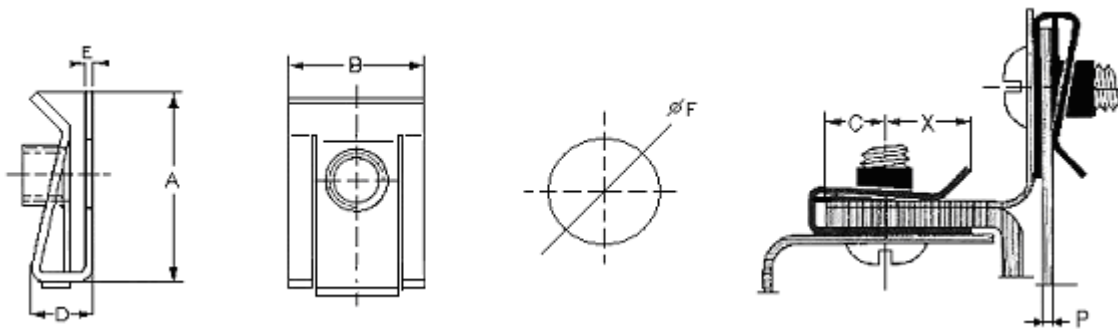
- Tolleranza generale  $\pm 0.3$
- Materiale: acciaio per molle e acciaio Inox

- General tolerance  $\pm 0.3$
- Material: spring steel and stainless steel

- Generaltoleranz  $\pm 0.3$
- Werkstoff: Federbandstahl und rostfreier Stahl

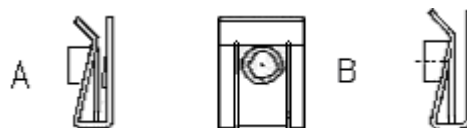


*Clips per Viti Metriche per elevate coppie di serraggio*  
*Metric- Screw Clips for high tightened pairs*



Vite	Spess. pannello	A	B	C	X	Tipo	E	F	Codice
M 4	0.5-4.0	14.0	10.0	7,0	6.0	A-B	0.6	6.5	FX70348
M 5	0.5-4.0	15,0	12.0	7,0	85,0	A	0.6	7.5	FX79644
M 5	0.5-4.0	19.9	14.0	10.2	8.5	B	0.6	8.5	FX70304
M 5	5,0-7,0	19.9	14.0	10.2	8.5	B	0.6	8.5	FX79547
M 6	0.5-4.0	21.9	15.0	11.0	9.6	A	0.7	8.5	FX70310
M 8	0.5-4.0	24.8	17.0	12.0	10,0	B	1.0	9,0	FX70369

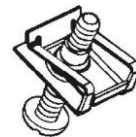
## FORME



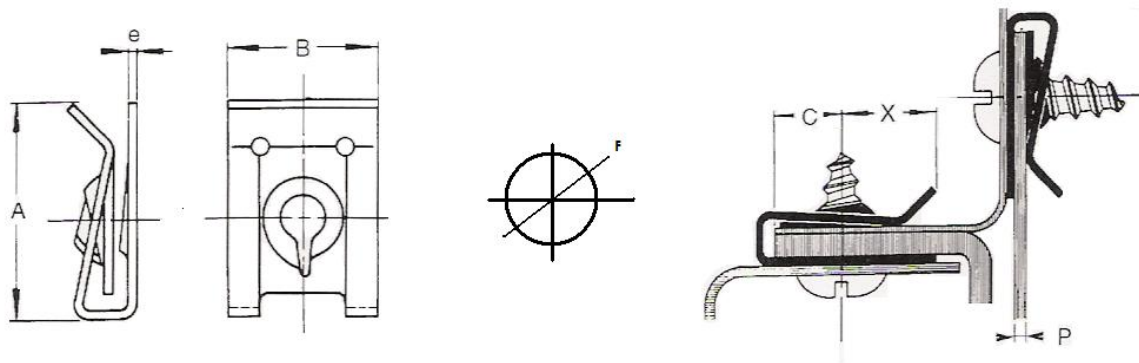
- Tolleranza generale  $\pm 0.3$
- Materiale: acciaio per molle e acciaio Inox

- General tolerance  $\pm 0.3$
- Material: stainless and spring steel

- Generaltoleranz  $\pm 0.3$
- Werkstoff: Federbandstahl und rostfreier Stahl

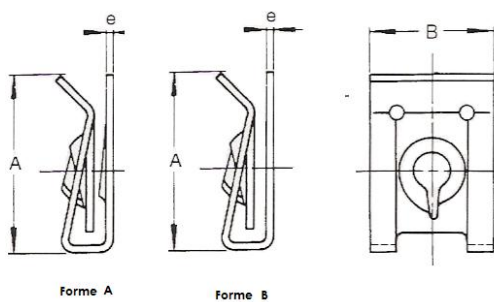


*Clips per alti spessore per Viti Autofilettanti*  
*High Thickness Clips for self-Tapping screw*



Vite	Spess. pannello	A	B	C	X	Tipo	E	F	Codice
3,5	0.5-4.0	20.0	14.0	8,8	10,0	A	0.5	6.0	FX70923
4,2	0.5-4.0	20.0	14.0	8,8	10,0	A	0.5	7,0	FX70920
4,2	0.5-4.0	25.0	14.0	14	9.5	A	0.5	7,2	FX70926
4,8	0.5-4.8	20.0	14.0	8,8	10,0	A	0.6	7,0	FX70921

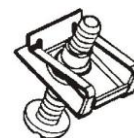
**FORME**



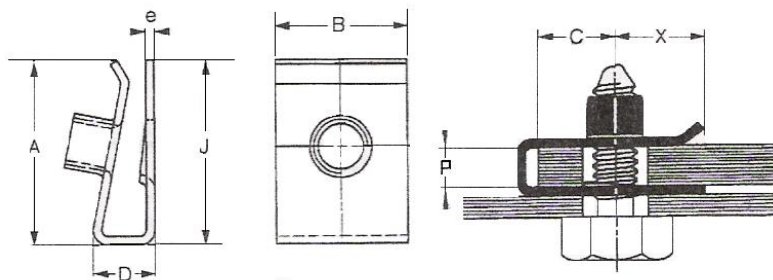
- Tolleranza generale  $\pm 0.3$
- Materiale: acciaio per molle

- General tolerance  $\pm 0.3$
- Material: spring steel

- Generaltoleranz  $\pm 0.3$
- Werkstoff: Federbandstahl

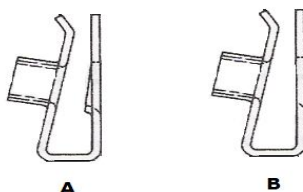


*Clips per Viti Metriche per elevate coppie di serraggio*  
*Metric- Screw Clips for high tightened pairs*



Vite	Spess. pannello	A	B	C	X	Tipo	E	F	Codice
M 4	0.5-1,5	15,5.0	12.0	9,5	6.0	A	0.8	6,0	FX79741
M 5	0.5-1,5	15,5.0	12.0	9,5	6.0	A	0.8	7,0	FX79642
M 6	0.5-1,5	15,5.0	12.0	9,5	6.0	A	0.8	8,0	FX79775
M 4	1,0-2,0	15,5.0	12.0	9,5	6.0	A	0.8	6,0	FX79741L
M 5	1,0-2,0	15,5.0	12.0	9,5	6.0	A	0.8	7,0	FX79642L
M 6	1,0-2,0	15,5.0	12.0	9,5	6.0	A	0.8	8,0	FX79775L

## FORME



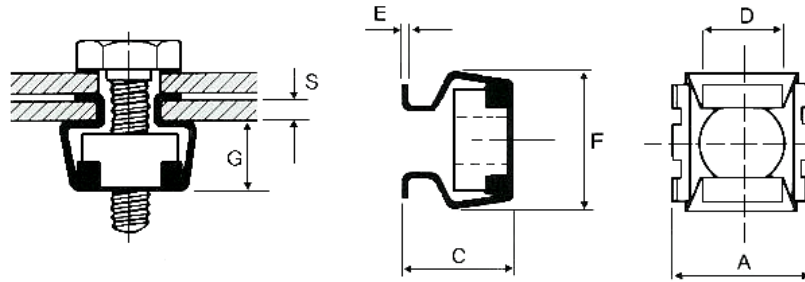
- tolleranza generale  $\pm 0.3$
- Materiale: acciaio per molle e acciaio Inox

- General tolerance  $\pm 0.3$
- Material: stainless and spring steel

- Generaltoleranz  $\pm 0.3$
- Werkstoff: Federbandstahl und rostfreier Stahl



## Dadi in Gabbia Quadra Square cage nuts



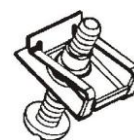
vite	Spessore pannello	A	C	D	E	F	G	cava pannello	dado	Codice
M 3	0.3-0.9	9.5	5.2	4.8	0.3	9.7	3.6	5.3x5.3	8x8x2.5	FX70533A
M 3	1.0-1.6	9.5	5.9	4.8	0.3	9.7	3.6	5.3x5.3	8x8x2.5	FX70533B
M 3	1.7-2.3	9.5	6.6	4.8	0.3	9.7	3.6	5.3x5.3	8x8x2.5	FX70533C
M 3	2.4-3.1	9.5	7.4	4.8	0.3	9.7	3.6	5.3x5.3	8x8x2.5	FX70533D
M 4	0.3-0.9	9.5	5.2	4.8	0.3	9.7	3.6	5.3x5.3	8x8x2.5	FX70534A
M 4	1.0-1.6	9.5	5.9	4.8	0.3	9.7	3.6	5.3x5.3	8x8x2.5	FX70534B
M 4	1.7-2.3	9.5	6.6	4.8	0.3	9.7	3.6	5.3x5.3	8x8x2.5	FX70534C
M 4	2.4-3.1	9.5	7.4	4.8	0.3	9.7	3.6	5.3x5.3	8x8x2.5	FX70534D
M 4	0.7-1.6	10	7.2	5.8	0.45	10.3	4.8	6.7x6.7	8x8x3.5	FX70674A
M 4	1.7-2.6	10	8.2	5.8	0.45	10.3	4.8	6.7x6.7	8x8x3.5	FX70674B
M 5	0.7-1.6	10	7.2	5.8	0.45	10.3	4.8	6.7x6.7	8x8x3.5	FX70675A
M 5	1.7-2.6	10	8.2	5.8	0.45	10.3	4.8	6.7x6.7	8x8x3.5	FX70675B
M 4	0.3-1.1	12	8.0	7.2	0.45	12.2	6.0	8.3x8.3	10x10x4,5	FX708340
M 4	1.2-1.6	12	8.5	7.2	0.45	12.2	6.0	8.3x8.3	10x10x4,5	FX70834A
M 4	1.7-2.5	12	9.5	7.2	0.45	12.2	6.0	8.3x8.3	10x10x4,5	FX70834B
M 4	2.6-3.5	12	10.5	7.2	0.45	12.2	6.0	8.3x8.3	10x10x4,5	FX70834C
M 4	3.6-4.5	12	11.5	7.2	0.45	12.2	6.0	8.3x8.3	10x10x4,5	FX70834D
M 5	0.3-1.1	12	8.0	7.2	0.45	12.2	6.0	8.3x8.3	10x10x4.5	FX708350
M 5	1.2-1.6	12	8.5	7.2	0.45	12.2	6.0	8.3x8.3	10x10x4.5	FX70835A
M 5	1.7-2.5	12	9.5	7.2	0.45	12.2	6.0	8.3x8.3	10x10x4.5	FX70835B
M 5	2.6-3.5	12	10.5	7.2	0.45	12.2	6.0	8.3x8.3	10x10x4.5	FX70835C
M 5	3.6-4.5	12	11.5	7.2	0.45	12.2	6.0	8.3x8.3	10x10x4.5	FX70835D
M 6	0.3-1.1	12	8.0	7.2	0.45	12.2	6.0	8.3x8.3	10x10x4.5	FX708360
M 6	1.2-1.6	12	8.5	7.2	0.45	12.2	6.0	8.3x8.3	10x10x4.5	FX70836A
M 6	1.7-2.5	12	9.5	7.2	0.45	12.2	6.0	8.3x8.3	10x10x4.5	FX70836B
M 6	2.6-3.5	12	10.5	7.2	0.45	12.2	6.0	8.3x8.3	10x10x4.5	FX70836C
M 6	3.6-4.5	12	11.5	7.2	0.45	12.2	6.0	8.3x8.3	10x10x4.5	FX70836D

- Tolleranza generale  $\pm 0.3$   
Disponibili anche con:
- Gabbia Inox + Dado Acciaio Dolce  
oppure
- Gabbia Inox + Dado Inox

- General tolerance  $\pm 0.3$   
Also available with:
- Stainless Steel Cage + Mild Steel Nuts  
or
- Stainless Steel Cage + Stainless Steel Nuts

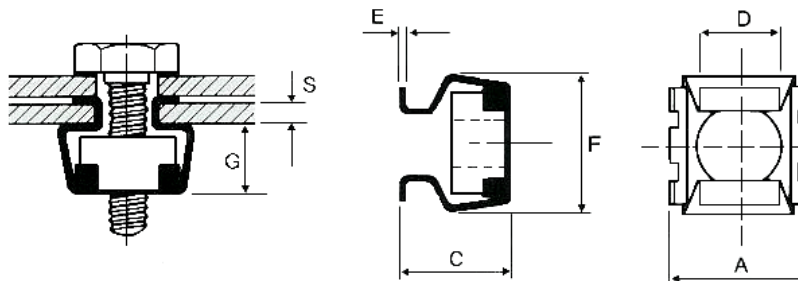
- Generaltoleranz  $\pm 0.3$   
Verfügbar mit:
- Kiste aus rostfreier Stahl + Mutter  
aus Flusstahl oder
- Kiste aus rostfreier Stahl + Mutter  
aus rostfreier Stahl



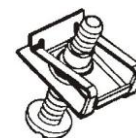


## Dadi in Gabbia Quadra

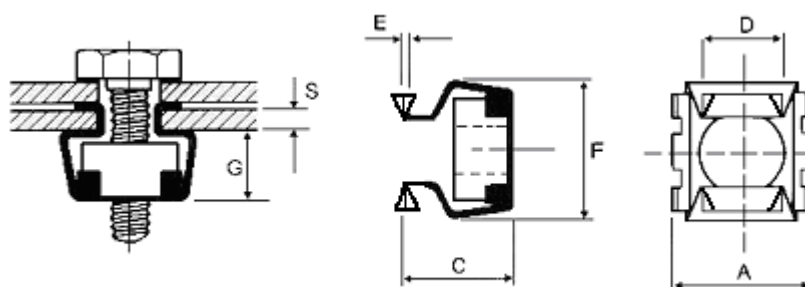
### Square cage nuts



vite	Spessore pannello	A	C	D	E	F	G	Cava pannello	dado	Codice
M 4	0.7-1.6	13.2	8.8	8.2	0.5	13.5	6	9.5x9.5	11x11x4.5	FX70954A
M 4	1.7-2.7	13.2	9.5	8.2	0.5	13.5	6	9.5x9.5	11x11x4.5	FX70954B
M 4	2.7-3.5	13.2	10.2	8.2	0.5	13.5	6	9.5x9.5	11x11x4.5	FX70954C
M 5	0.7-1.6	13.2	8.8	8.2	0.5	13.5	6	9.5x9.5	11x11x4.5	FX70955A
M 5	1.7-2.7	13.2	9.5	8.2	0.5	13.5	6	9.5x9.5	11x11x4.5	FX70955B
M 5	2.7-3.5	13.2	10.2	8.2	0.5	13.5	6	9.5x9.5	11x11x4.5	FX70955C
M 6	0.7-1.6	13.2	8.8	8.2	0,5	13.5	6	9.5x9.5	11x11x4.5	FX70956A
M 6	1.7-2.7	13.2	9.5	8.2	0.5	13.5	6	9.5x9.5	11x11x4.5	FX70956B
M 6	2.7-3.5	13.2	10.2	8.2	0.5	13.5	6	9.5x9.5	11x11x4.5	FX70956C
M 6	1.0-1.7	16.0	10.4	10.6	0.6	16.6	7.8	12.3x12.3	14x14x5,5	FX71236A
M 6	1.8-3.2	16.0	12.0	10.6	0.6	16.6	7.8	12.3x12.3	14x14x5,5	FX71236B
M 6	3.3-4.7	16.0	13.5	10.6	0.6	16.6	7.8	12.3x12.3	14x14x5,5	FX71236C
M 6	4.8-5.5	16.0	14.5	10.6	0.6	16.6	7.8	12.3x12.3	14x14x5,5	FX71236D
M 8	1.0-1.7	16.0	10.4	10.6	0.6	16.6	7.8	12.3x12.3	14x14x5,5	FX71238A
M 8	1.8-3.2	16.0	12.0	10.6	0.6	16.6	7.8	12.3x12.3	14x14x5,5	FX71238B
M 8	3.3-4.7	16.0	13.5	10.6	0.6	16.6	7.8	12.3x12.3	14x14x5,5	FX71238C
M 8	4.8-5.5	16.0	14.5	10.6	0.6	16.6	7.8	12.3x12.3	14x14x5,5	FX71238D
M 10	1.0-1.7	16.0	10.4	10.6	0.6	16.6	7.8	12.3x12.3	14x14x5,5	FX71231A
M 10	1.8-3.2	16.0	12.0	10.6	0.6	16.6	7.8	12.3x12.3	14x14x5,5	FX71231B
M 10	3.3-4.7	16.0	13.5	10.6	0.6	16.6	7.8	12.3x12.3	14x14x5,5	FX71231C
M 10	4.8-5.5	16.0	14.5	10.6	0.6	16.6	7.8	12.3x12.3	14x14x5,5	FX71231D
M 10	1.0-1.7	20.0	13.5	12.6	0.6	20.5	10.4	14x14	17x17x7.5	FX71410A
M 10	1.8-3.2	20.0	15.0	12.6	0.6	20.5	10.4	14x14	17x17x7.5	FX71410B
M 10	3.3-4.7	20.0	16.5	12.6	0.6	20.5	10.4	14x14	17x17x7.5	FX71410C
M 10	4.8-6.2	20.0	18.0	12.6	0.6	20.5	10.4	14x14	17x17x7.5	FX71410D
M 12	1.0-1.7	20.0	13.5	12.6	0.6	20.5	10.4	14x14	17x17x7.5	FX71412A
M 12	1.8-3.2	20.0	15.0	12.6	0.6	20.5	10.4	14x14	17x17x7.5	FX71412B
M 12	3,3-4,7	20.0	16,5	12.6	0.6	20.5	10.4	14x14	17x17x7.5	FX71412C
M 12	4,8-6,2	20.0	18,0	12.6	0.6	20.5	10.4	14x14	17x17x7.5	FX71412D



*Dadi in Gabbia Quadra per continuità di massa*  
*Square cage nuts for Earth continuity*

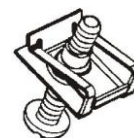


vite	Spessore pannello	A	C	D	E	F	G	cava pannello	dado	Codice
M 4	1,5-2,0	12	8.5	7.2	0.45	12.2	6.0	8.3x8.3	10x10x4,5	FX70834BXCM
M 5	1,5-2,0	12	8.5	7.2	0.45	12.2	6.0	8.3x8.3	10x10x4,5	FX70835BXCM
M 6	1,5-2,0	12	8.5	7.2	0.45	12.2	6.0	8.3x8.3	10x10x4,5	FX70836BXCM
M 4	1,5-2,0	13.2	9.5	8.2	0.45	13.5	6	9.5x9.5	11x11x4.5	FX70954BXCM
M 5	1,5-2,0	13.2	9.5	8.2	0.45	13.5	6	9.5x9.5	11x11x4.5	FX70955BXCM
M 6	1,5-2,0	13.2	9.5	8.2	0.45	13.5	6	9.5x9.5	11x11x4.5	FX70956BXCM
M 8	3,0-3,9	20.4	16,5	12.6	0.6	20.4	10.5	14x14	17x17x7.5	FX71408CXCM
M 10	3,0-3,9	20.4	16,5	12.6	0.6	20.4	10.5	14x14	17x17x7.5	FX71410CXCM
M 12	3,0-3,9	20.4	16,5	12.6	0.6	20.4	10.5	14x14	17x17x7.5	FX71412CXCM

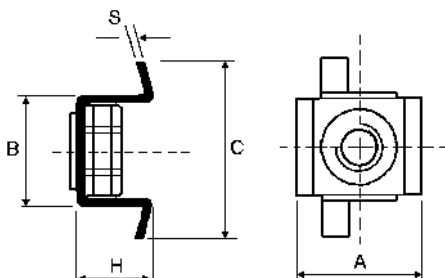
- Tolleranza generale  $\pm 0.3$   
Disponibili anche con:
- Gabbia Inox + Dado Acciaio Dolce oppure
- Gabbia Inox + Dado Inox

- General tolerance  $\pm 0.3$   
Also available with:
- Stainless Steel Cage + Mild Steel Nuts or
- Stainless Steel Cage + Stainless Steel Nuts

- Generaltoleranz  $\pm 0.3$   
Verfügbar mit:
- Kiste aus rostfreier Stahl + Mutter aus Flusstahl oder
- Kiste aus rostfreier Stahl + Mutter aus rostfreier Stahl



## Dadi in Gabbia con Alette Cage nuts with Vanes

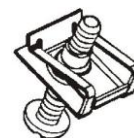


Vite	Spessore pannello	H	A	B	C	S	Cava pannello	Codice
M 5	0.5-0.6	5.6	14	12.4	20.4	0.5	13x8	FX78135A
M 5	0.7-0.8	5.8	14	12.4	20.4	0.5	13x8	FX78135B
M 5	0.9-1,0	6.0	14	12.4	20.4	0.5	13x8	FX78135C
M 5	1.2-1.3	6.3	14	12.4	20.4	0.5	13x8	FX78135D
M 5	1.5-1.6	6.6	14	12.4	20.4	0.5	13x8	FX78135E
M 5	1.7-1.8	6.8	14	12.4	20.4	0.5	13x8	FX78135F
M 5	2.0-2.1	7.1	14	12.4	20.4	0.5	13x8	FX78135G
M 6	0.5-0.6	5.6	14	12.4	20.4	0.5	13x8	FX78136A
M 6	0.7-0.8	5.8	14	12.4	20.4	0.5	13x8	FX78136B
M 6	0.9-1,0	6.0	14	12.4	20.4	0.5	13x8	FX78136C
M 6	1.2-1.3	6.3	14	12.4	20.4	0.5	13x8	FX78136D
M 6	1.5-1.6	6.6	14	12.4	20.4	0.5	13x8	FX78136E
M 6	1.7-1.8	6.8	14	12.4	20.4	0.5	13x8	FX78136F
M 6	2.0-2.1	7.1	14	12.4	20.4	0.5	13x8	FX78136G
M 6	0.5-0.6	6.3	15.5	13.6	21.6	0.5	14x9	FX79146A
M 6	0.7-0.8	6.5	15.5	13.6	21.6	0.5	14x9	FX79146B
M 6	0.9-1,0	6.7	14.5	13.6	21.6	0.5	14x9	FX79146C
M 6	1.2-1.3	7.0	15.5	13.6	21.6	0.5	14x9	FX79146D
M 6	1.5-1.6	7.3	15.5	13.6	21.6	0.5	14x9	FX79146E
M 6	1.7-1.8	7.5	15.5	13.6	21.6	0.5	14x9	FX79146F
M 6	2.0-2.1	7.8	15.5	13.6	21.6	0.5	14x9	FX79146G
M 8	0.5-0.6	7,7	17.5	15,8	26,0	0.6	10,5x16,5	FX716108A
M 8	0.7-0.8	7,9	17.5	15,8	26,0	0.6	10,5x16,5	FX716108B
M 8	0.9-1,0	8,1	17.5	15,8	26,0	0.6	10,5x16,5	FX716108C
M 8	1.2-1.3	8,4	17.5	15,8	26,0	0.6	10,5x16,5	FX716108D
M 8	1.5-1.6	8,7	17.5	15,8	26,0	0.6	10,5x16,5	FX716108E
M 8	1.7-1.8	8,9	17.5	15,8	26,0	0.6	10,5x16,5	FX716108F
M 8	2.0-2.1	9,2	17.5	15,8	26,0	0.6	10,5x16,5	FX716108G

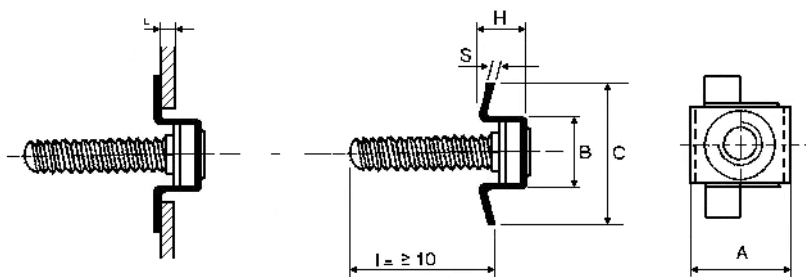
- Tolleranza generale  $\pm 0.3$
- Materiale: Gabbia Inox 18/8, Dado 6 S

- General tolerance  $\pm 0.3$
- Material: Stainless Steel Cage 18/8, Nuts 6 S

- Generaltoleranz  $\pm 0.3$
- Werkstoff: Kiste aus rostfreier Stahl 18/8, Mutter 6 S



## Viti in Gabbia con alette Cage screw with Vanes

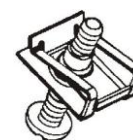


vite	Spessore pannello	H	A	B	C	S	Cava pannello	Codice
M 5	0.5-0.6	3.4	11	8.5	16.5	0.4	9x9	FX70905A
M 5	0.7-0.8	3.6	11	8.5	16.5	0.4	9x9	FX70905B
M 5	0.9-1.0	3.8	11	8.5	16.5	0.4	9x9	FX70905C
M 5	1.2-1.3	4.1	11	8.5	16.5	0.4	9x9	FX70905D
M 5	1.5-1.6	4.4	11	8.5	16.5	0.4	9x9	FX70905E
M 5	1.7-1.8	4.6	11	8.5	16.5	0.4	9x9	FX70905F
M 5	2.0-2.1	4.9	11	8.5	16.5	0.4	9x9	FX70905G
M 6	0.5-0.6	3.9	14	10.6	18	0.5	11x11	FX70116A
M 6	0.7-0.8	4.1	14	10.6	18	0.5	11x11	FX70116B
M 6	0.9-1.0	4.3	14	10.6	18	0.5	11x11	FX70116C
M 6	1.2-1.3	4.6	14	10.6	18	0.5	11x11	FX70116D
M 6	1.5-1.6	4.9	14	10.6	18	0.5	11x11	FX70116E
M 6	1.7-1.8	5.1	14	10.6	18	0.5	11x11	FX70116F
M 6	2.0-2.1	5.4	14	10.6	18	0.5	11x11	FX70116G
M 8	0.5-0.6	4,7	16	12,5	19,5	0.5	13x13	FX70138A
M 8	0.7-0.8	4,9	16	12,5	19,5	0.5	13x13	FX70138B
M 8	0.9-1.0	5,1	16	12,5	19,5	0.5	13x13	FX70138C
M 8	1.2-1.3	5,4	16	12,5	19,5	0.5	13x13	FX70138D
M 8	1.5-1.6	5,7	16	12,5	19,5	0.5	13x13	FX70138E
M 8	1.7-1.8	5,9	16	12,5	19,5	0.5	13x13	FX70138F
M 8	2.0-2.1	6,2	16	12,5	19,5	0.5	13x13	FX70138G

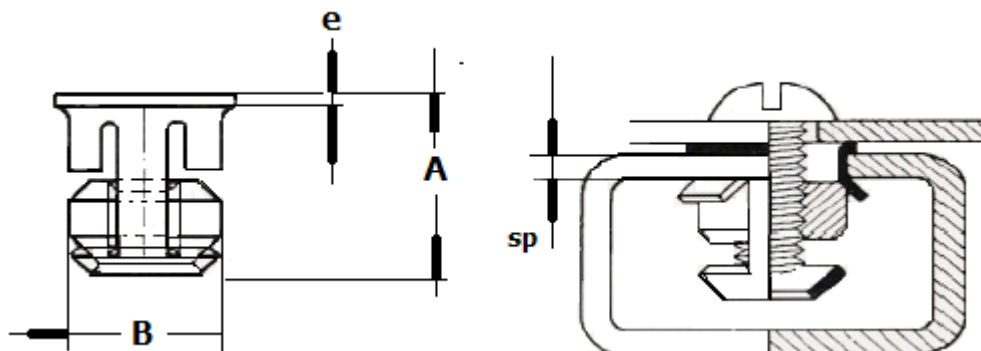
- Tolleranza generale  $\pm 0.3$
- Materiale: Gabbia Inox 18/8
- Vite 4.8
- Lunghezza vite: da 10 a 50mm

- General tolerance  $\pm 0.3$
- Material: Stainless Steel Cage 18/8
- Screw 4.8
- Screw length: from 10 to 50mm

- Generaltoleranz  $\pm 0.3$
- Werkstoff: Kiste aus rostfreier Stahl 18/8
- Schraube 4.8
- Schraube Länge: von 10 bis 50mm



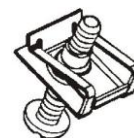
## Dadi in Gabbia Tonda Round Cage nuts



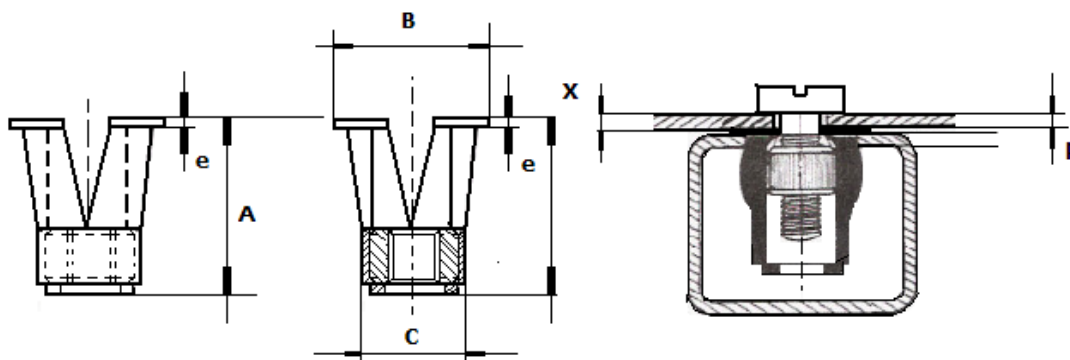
vite	Spessore pannello senza svasatura	Spessore pannello con svasatura	A	B	E	Foro Pannello	Codice
M 3	0,7-3,5	1,2-4,0	11	8,4	0,5	8,6	FX79767
M 3	0,7-4,0	1,5-5,0	13	9,9	0,6	10,1	FX79768
M 4	0,7-3,5	1,2-4,0	9,2	7,0	0,5	7,2	FX79750
M 4	0,7-4,0	1,5-5,0	13	9,9	0,6	10,1	FX79769
M 5	0,7-3,5	1,2-4,0	11	8,4	0,5	8,6	FX79704
M 5	0,5-1,5	0,5-1,5	13	9,9	0,5	10,1	FX79618S
M 5	0,7-4,0	1,5-5,0	13	9,9	0,6	10,1	FX79618
M 6	0,7-4,0	1,5-5,0	13	9,9	0,6	10,1	FX79625
M 7	1,0-6,0	1,8-7,0	18,2	12,9	0,9	13,2	FX79770
M 8	1,0-6,0	1,8-7,0	18,2	12,9	0,9	13,2	FX79743

- Tolleranza generale  $\pm 0.3$
- Gabbia. Acciaio + Dado Acciaio Dolce

- General tolerance  $\pm 0.3$
- Steel Cage + Mild Steel Nuts
-



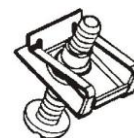
## *Dadi in Gabbia Tonda in Nylon* *Nylon Round Cage nuts*



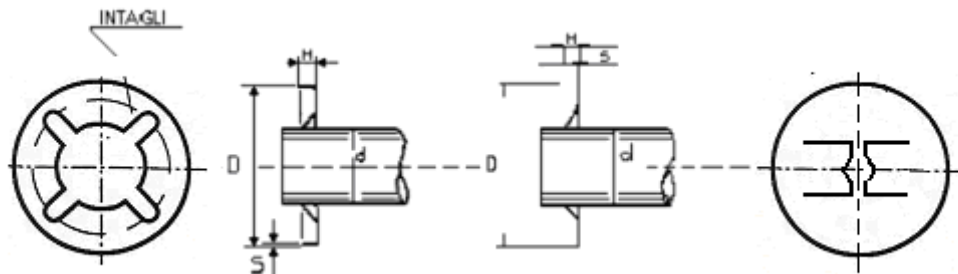
vite	Spessore pannello	A	B	C	e	Foro Pannello	Codice
M 3	0,5-3,0	7,5	8,0	5,0	0,3	5,2	FX79620
M 4	0,5-4,0	9,5	9,4	6,0	0,4	6,3	FX79619
M 5	0,5-5,0	12	11	8,0	0,5	8,1	FX79621
M 6	0,5-6,0	15	14,4	10,3	0,6	10,5	FX79631

- Tolleranza generale  $\pm 0,3$
- Gabbia. Nylon + Dado Ottone

- General tolerance  $\pm 0.3$
- Nylon Cage +Nuts Brass



## Anelli a Corona Crown Ring



Ø perno	D	H	S	N° intagli	Codice
2	9	1.3	0.20	4	FX79549
2.5	9	1.3	0.20	4	FX79550
3	7,2	1.0	0.20	4	FX70312BX
3	9	1.5	0.20	2	FX70313BX
4	11	1.7	0.20	5	FX70400
4	15	1.5	0.25	5	FX70401BX
5	12	1.5	0.25	6	FX70402
5	11	1.7	0.20	6	FX70329BX
5	15	1.5	0.20	6	FX70403
6	15	1.5	0.25	6	FX70328BX
6	15	2.0	0.40	2	FX70311BX
6	20	2.0	0.30	6	FX70404
6	26	2.4	0.30	6	FX70405
8	15	1.5	0.30	6	FX70325BX
8	25	2.4	0.30	6	FX70406
10	18	2.5	0.30	6	FX70407
10	26	2.4	0.30	6	FX70408
11	18	2.0	0.30	6	FX79551
12	25	2.4	0.40	6	FX79552
13	20	2.5	0.30	6	FX70409
14	20	2.5	0.30	6	FX70410
14	35	2.7	0.50	4	FX70411
15	23	1.5	0.50	8	FX70309
16	25	3.0	0.35	6	FX79553
16	28	2.8	0.40	6	FX79554
17	28	2.8	0.40	6	FX79555
18	35	12.7	0.50	6	FX70413
20	34	3.3	0.30	7	FX70415
22	36	3.1	0.40	6	FX79556
25	41	3.0	0.30	9	FX70416

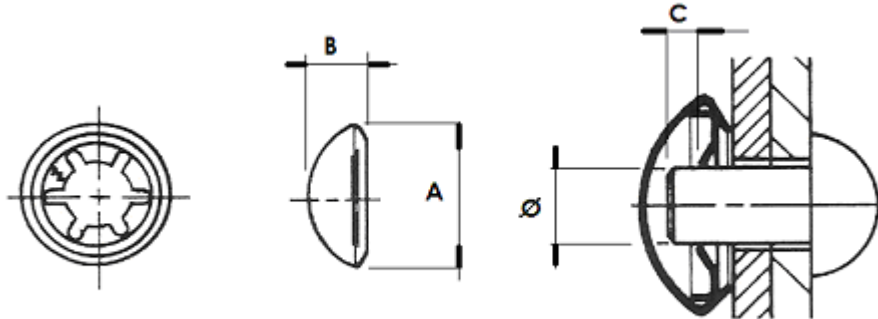
- Tolleranza generale  $\pm 0.3$
- In acciaio per molle e acciaio Inox
- Codici con finale **BX** sono in Acciaio Inox 18/8

- General tolerance  $\pm 0.3$
- Stainless and spring steel
- Codes with **BX** ending indicate Stainless Steel 18/8

- Generaltoleranz  $\pm 0.3$
- Federbandstahl und rostfreier Stahl
- Coden mit **BX** Endung sind aus rostfreier Stahl 18/8



*Fissatori con Cappuccio*  
*Crown Fixer with cap*



perno	A	B	C	Codice
3	12,0	5,0	2,5	FX63403
4	12,0	5,0	2,5	FX63404
5	12,0	5,0	2,5	FX63405
6	16,0	6,0	4,0	FX63406
7	16,0	6,0	4,0	FX63407
8	16,0	6,0	4,0	FX63408
9	18,0	7,0	4,0	FX63409
10	18,0	7,0	4,0	FX63410
11	18,0	7,0	4,0	FX63411
12	26,7	9,2	4,0	FX63412
14	26,7	9,2	4,5	FX63414
16	29,8	9,5	5,0	FX63416

- Tolleranza generale  $\pm 0.3$
- Materiale: acciaio per molle

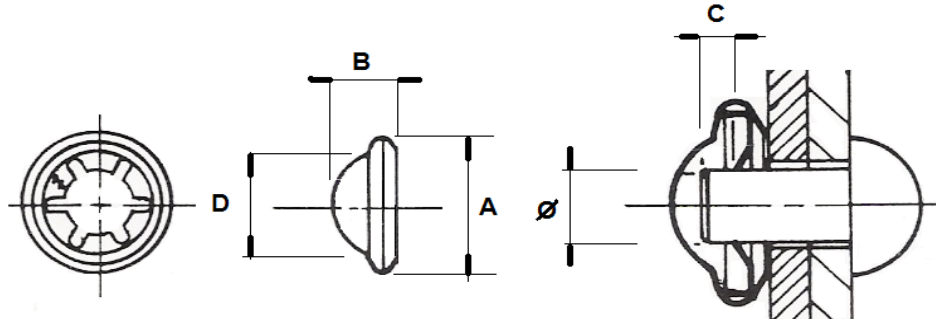
- General tolerance  $\pm 0.3$
- Material: stainless

- Generaltoleranz  $\pm 0.3$
- Werkstoff: Federbandstahl





*Fissatori con Cappuccio Bordato*  
*Crown Fixer with Boarded cap*

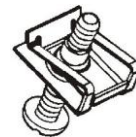


perno	A	B	D	C	Codice
3	12,0	5,0	10,0	2,5	FX63303
4	12,0	5,0	10,0	2,5	FX63304
5	12,0	5,0	10,0	2,5	FX63305
6	16,0	6,0	14,0	4,0	FX63306
6,5	16,0	6,0	14,0	4,0	FX63365
7	16,0	6,0	14,0	4,0	FX63307
8	16,0	6,0	14,0	4,0	FX63308
9	18,0	7,0	16,0	4,0	FX63309
9,5	18,0	7,0	16,0	4,0	FX63395
10	18,0	7,0	16,0	4,0	FX63310
11	18,0	7,0	16,0	4,0	FX63311

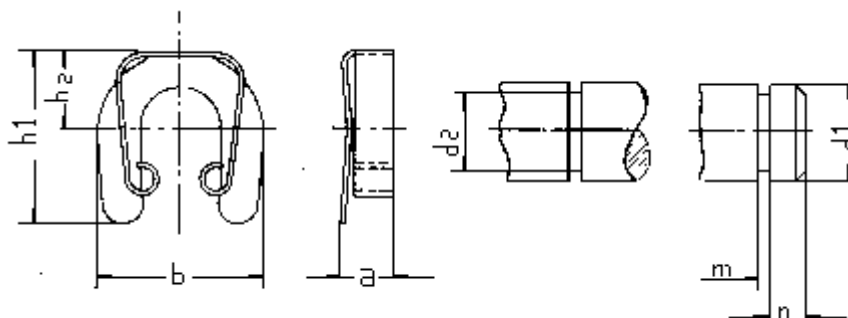
- Tolleranza generale  $\pm 0.3$
- Materiale: acciaio per molle

- General tolerance  $\pm 0.3$
- Material: stainless

- Generaltoleranz  $\pm 0.3$
- Werkstoff: Federbandstahl



*Fermagli di Sicurezza*  
*Safety fittings*



∅ perno	b	h1	h2	a	Forza assiale	d1 h11	d2 h11	m + 0,1	n + 0,1	Codice
6	10,6	11,1	5,1	3,35	400	6	5	0,74	2,26	FX70419
8	13,5	14,2	6,2	4,00	500	8	6	0,94	2,56	FX70308
10	17,0	18,0	8,0	5,30	750	10	8	1,05	3,45	FX70420
12	20,0	21,3	9,3	5,80	1.250	12	9	1,15	3,85	FX70320

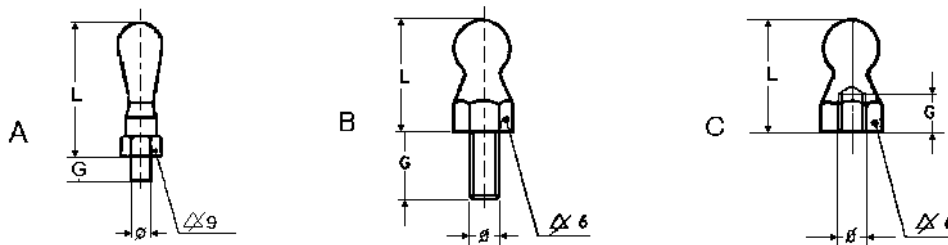
- Tolleranza generale  $\pm 0,3$
- Albero in acciaio con  $R = 60/70$  Kg/mm<sup>q</sup>
- Materiale: acciaio per molle
- Trattamento fosfatizzazione/Dacromet

- General tolerance  $\pm 0,3$
- Shafts made of steel  $R = 60/70$  Kg/mm<sup>q</sup>
- Material: spring steel
- Surface coating: phosphated/Dacromet

- Generaltoleranz  $\pm 0,3$
- Wellen aus Stahl  $R = 60/70$  Kg/mm<sup>q</sup>
- Werkstoff: Federbandstahl
- Oberflächenschutz: phosphatiert/Dacromet



## Perni per Chiusure Rapide Pivot for Rapid Fastening

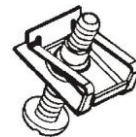


Vite	Tipo	L	G	Codice
4.2	Self tapping Selbstschneidende	11.4	8	FX70314
M 4	B	11.4	10	Fx70396
M 5	B	11.4	10	FX70397
M 5	B	12.0	5	FX70398
M 4	B	12.4	7	FX70358
M 5	B	14.0	4	FX70509
M 5	B	14.0	7	FX70423
M 4	B	12.7	5	FX70421
M 5	B	12.0	10	FX70399
M 5	B	12.7	4	FX70362
M 5	B	12.7	10	FX70417
M 4	B	14.0	10	FX79755
M 5	B	14.0	10	FX70418
M 6	A	25.0	10	FX70357

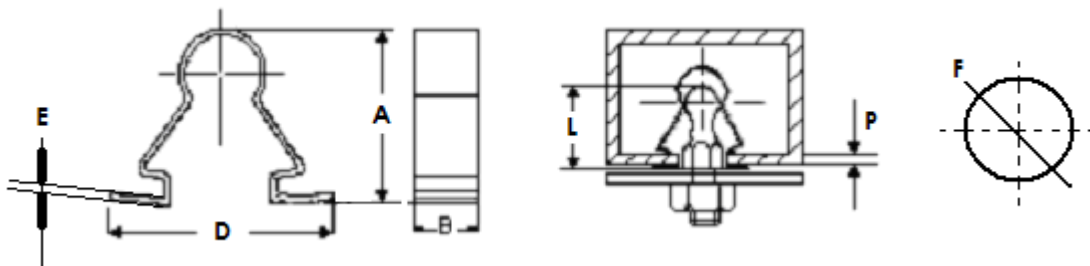
- Tolleranza generale  $\pm 0.3$
- Materiale: acciaio cementato e zincato
- è possibile produrre particolari a disegno cliente

- General tolerance  $\pm 0.3$
- Material: case-hardened and zinc-plated steel
- it is possible to produce custom designed items

- Generaltoleranz  $\pm 0.3$
- Werkstoff: aufgekollter und verzinkter Stahl
- es ist möglich nach der zeichnung des kunden produkte herstellen



**Molle per Chiusure Rapide**  
**Spring for rapid Fastening**

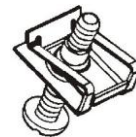


L	Spessore. Pannello	A	B	D	E	F	Cava	Codice
11.4	0.5-1.0	13.4	6.0	17	0.4	10.5	7x9	FX70315
12.0	1.0-1.5	13.8	6.0	17	0.4	10.5	7x9	FX70395
12.7	1.5-2.0	14.2	6.0	17	0.4	10.5	7x9	FX70365
12.7	1.7-2.5	14.2	6.0	17	0.4	10.5	7x9	FX70382
14.0	2.5-3.2	15.8	6.0	17	0.4	10.5	7x9	FX70520
12.7	1.7-2.5	14.6	6.0	25	0.4	10.5	7x9	FX70319

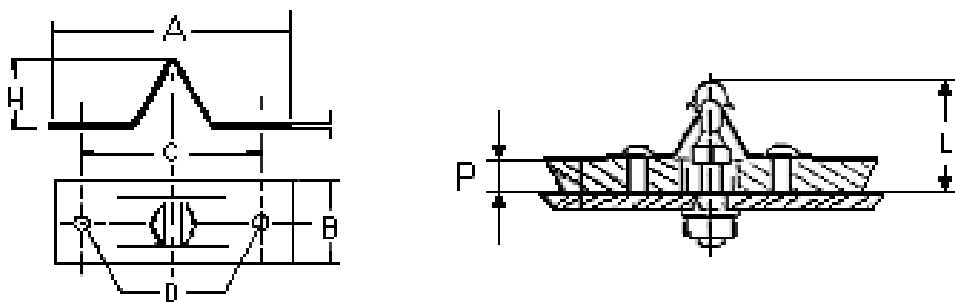
- Tolleranza generale  $\pm 0.3$
- Materiale: acciaio per molle
- Trattamento: fosfatazione/Dacromet

- General tolerance  $\pm 0.3$
- Material: spring steel
- Surface coating: phosphated/Dacromet

- Generaltoleranz  $\pm 0.3$
- Werkstoff: Federbandstahl
- Oberflächenschutz: phosphatiert/Dacromet



**Molle per Chiusure Rapide - tipo pesante**  
**Spring for rapid Fastening - heavy type**



Spessore Pannello	A	B	C	D	E	H	L	Resistenza Trazione daN	Codice
1.5-5.0	50	17	37	3,3	0.6	16.5	25	8	FX70340
1.5-5.0	50	17	37	6,3X8	0.6	16.5	25	8	FX79536
1.5-5.0	50	17	37	4	0.6	16.5	25	8	FX70117
3.5-5.0	26	11	19.5	8	0.6	7.5	14	9	FX70359
2.0-3.5	26	11	19.5	8	0.5	7.5	14	6	FX70557
1.0-2.0	26	11	19.5	8	0.3	7.5	14	3	FX70558

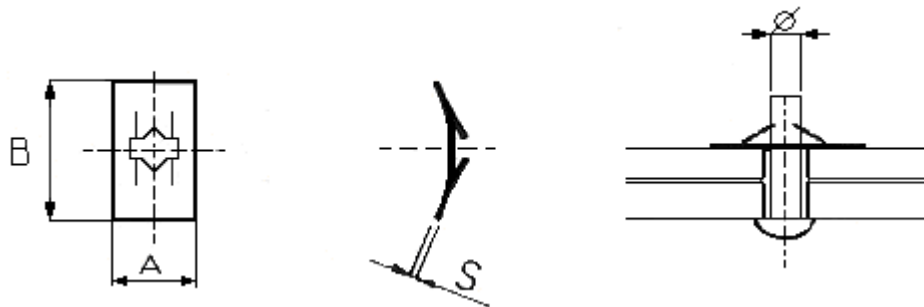
- Tolleranza generale  $\pm 0.3$
- Materiale: acciaio per molle
- Trattamento: fosfatizzazione/Dacromet

- General tolerance  $\pm 0.3$
- Material: spring steel
- Surface coating: phosphated/Dacromet

- Generaltoleranz  $\pm 0.3$
- Werkstoff: Federbandstahl
- Oberflächenschutz: phosphatiert/Dacromet



*Piastrine semplici per perni lisci*  
*Simple plaques for pivots*



A	B	S	C	Diam. Perno	Codice
8,0	13	0,4	3,2	2,0	FX63007
12	14	0,3	3,2	2,5	FX63008
8,0	13	0,4	3,2	3,0	FX63009
10,0	15,0	0,4	4,5	4,0	FX63010
10,0	15,0	0,4	4,5	4,5	FX63011
11,0	18,0	0,4	5,0	5,0	FX63012
11,0	16,0	0,3		6,0	FX63013

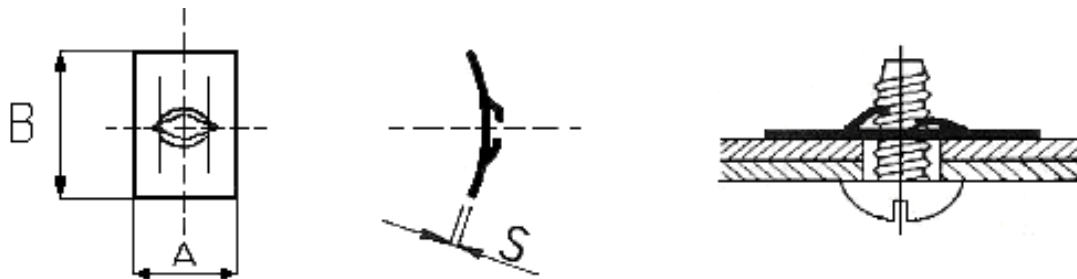
- Tolleranza generale  $\pm 0.3$
- Materiale: acciaio per molle

- General tolerance  $\pm 0.3$
- Material: spring steel

- Generaltoleranz  $\pm 0.3$
- Werkstoff: rostfreier stahl



*Piastrine semplici per viti Parker*  
*Simple plaques for Parker Screw*

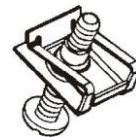


Autofilettanti	A	B	S	tipo	Codice
2,9	11,0	8,0	0,5	A	FX63014
2,9	15,0	9,5	0,5	A	FX63015
3,6	13,5	9,0	0,6	A	FX63016
3,6	15,0	9,5	0,5	A	FX63017
4,2	15,0	9,5	0,6	A	FX63018
4,8	17,0	10,5	0,7	A	FX63019
5,5	18,0	12,0	0,8	A	FX63020
4,2	18,0	12,0	0,7	A	FX63021
3,6	18,0	12,0	0,7	A	FX63022

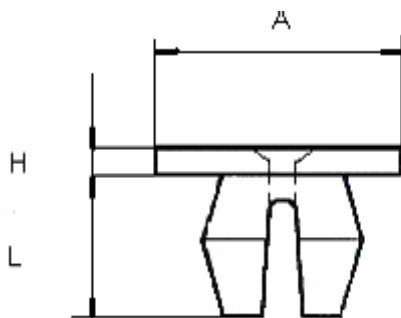
- Tolleranza generale  $\pm 0.3$
- Materiale: acciaio per molle

- General tolerance  $\pm 0.3$
- Material: spring steel

- Generaltoleranz  $\pm 0.3$
- Werkstoff: rostfreier stahl



**Madreviti Standard**  
**Standard Screw Grommets**



TIPO A

Autofilettanti	Spess. pannello	A	L	H	Foro QUADRO Pannello	tipo	Codice
3,5	0.5-2.0	5,5	5,8	1,2	4.5	A	FX70323
3,5	3,5	10x63	6,5	1,2	4.5	A	FX70324
3,5	0,7-1,5	5,5	5,5	1,2	4.5	A	FX70325
3,5	0,5-2,0	9,0	5,8	1,2	5,5	A	FX70326
4,2	0.5-3.0	9,5	7,2	0,8	6,2	A	FX70327
4,2	0.8-4,0	9,5	10,0	0,8	7,0	A	FX70328
4,2	0.7-3.0	10,0	8,0	5,0	7,0	A	FX70329
4,2	0.5-3.0	9,5	8,0	1,0	7,0	A	FX70330
4,8	0.5-2,0	10,0	7,5	1,5	10,0	A	FX70331
4,8	0.5-1,5	10,0	5,0	1,2	7,0	A	FX70332
6,3	0,7-2,0	15,0	6,0	2,5	8,0	A	FX70333

- Tolleranza generale  $\pm 0.3$
- Materiale: Nylon 6/6 colore naturale

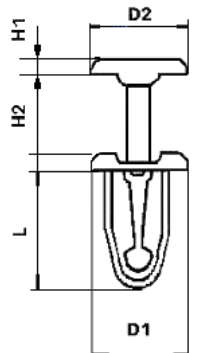
- General tolerance  $\pm 0.3$
- Material: Nylon 6/6 color natural

- Generaltoleranz  $\pm 0.3$
- Werkstoff: Nylon 6/6 natural



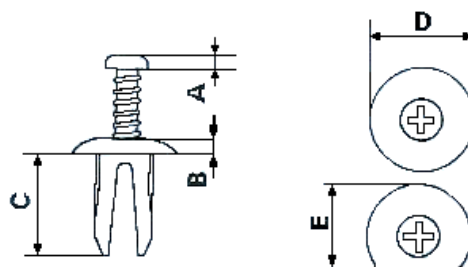


*Rivetti in Nylon ad espansione*  
*Rivets in Nylon to expansion*



D1	D2	L	H1	H2	Foro	Spess.Pan.	Codice
10	10	14,5	1,6	1,6	6-6,5	1,0-4,0	FX79508
10	10	18,5	1,6	1,6	6-6,5	1,0-8,0	FX63335
15	22	18,0	4,8	2,0	7,5	10	FX63336

*Rivetti in Nylon ad espansione con vite*  
*Rivets Screw type to expansion*



A	B	C	D	EH	Foro	Spess. pann.	Codice
3,0	2,0	12,8	11,5	--	6,2-6,5	3,0-6,0	FX63349
3,0	2,0	12,8	8,5	--	6,5	3,0-6,0	FX63350
2,0	2,0	18,0	19,0	--	8,0	6,0-14,0	FX63351
2,0	2,0	18,0	19,0	--	10,0	6,0-14,0	FX63352
2,0	3,0	22,0	21,0	18	12,0	7,0	FX63353
4,0	1,5	13,0	14,0	--	7,0x7,0	0,8	FX63354
3,0	2,0	18,0	12,0	--	6,0x6,0	2,0-7-0	FX63355

- Tolleranza generale  $\pm 0.3$
- Materiale: Nylon 6/6 colore naturale

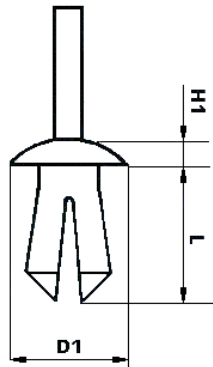
- General tolerance  $\pm 0.3$
- Material: Nylon 6/6 color natural

- Generaltoleranz  $\pm 0.3$
- Werkstoff: Nylon 6/6 natural

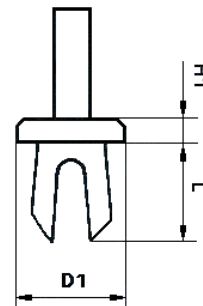


*Rivetti in Nylon ad espansione*  
*Rivets in Nylon to expansion*

TIPO 1



TIPO 1A

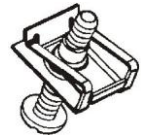


Tipo	D2	L	H1	Foro	Spess.Pann	Codice
1	4,8	5,0	1,25	3,2	0,8-3,5	FX63337
1	6,3	6,5	1,80	3,6	3,0-5,0	FX63338
1	7,6	8,7	1,30	4,0	4,0-6,0	FX63339
1	7,2	7,5	2,00	4,8	1,5-5,0	FX63340
1	9,5	12	2,0	5,5	2,0-7,5	FX63341
1	9,5	16,0	2,0	6,4	7,1-12,7	FX63342
1	15,0	10,0	2,0	7,5	1,0-7,0	FX63343
1	24,0	16,0	2,5	8,0	3,0-9,0	FX63344
1A	6,0	5,0	1,5	4,4	1,0-3,5	FX63345
1A	15,0	12,0	2,00	6,5	2,0-9,0	FX63346
1A	15,0	10,0	2,00	7,3	0,8-3,0	FX63347
1A	16,0	13,0	2,0	8,0	3,0-6-0	FX63348

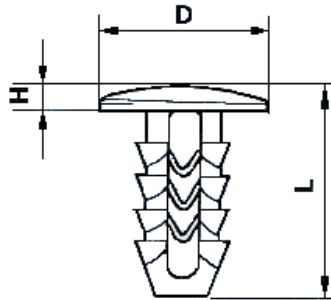
- Tolleranza generale  $\pm 0.3$
- Materiale: Nylon 6/6 colore naturale

- General tolerance  $\pm 0.3$
- Material: Nylon 6/6 coulor natural

- Generaltoleranz  $\pm 0.3$
- Werkstoff: Nylon 6/6 natural



*Rivetti in Nylon Dentati*  
*Rivets toothed type*



D	H	L	Foro	Spess. Pann.	Codice
20,0	2,0	26,5	8,0	3,5-18,5	FX63356
16,0	2,0	21,2	8,0	4,00-12,7	FX63357
20,0	2,0	33,0	8,0	5,0-22,5	FX63358
22,0	2,5	27,5	8,5	4,0-19,0	FX63359
26,0	2,5	27,5	8,5	4,0-19,0	FX63360
22,0	2,5	24,5	9,0	4,0-16,0	FX63361
19,0	2,5	21,0	9,0	4,0-14,0	FX63362
30,0	2,5	27,5	9,0	4,0-19,0	FX63363
22,0	2,5	20,0	10,0	4,0-13,0	FX63364

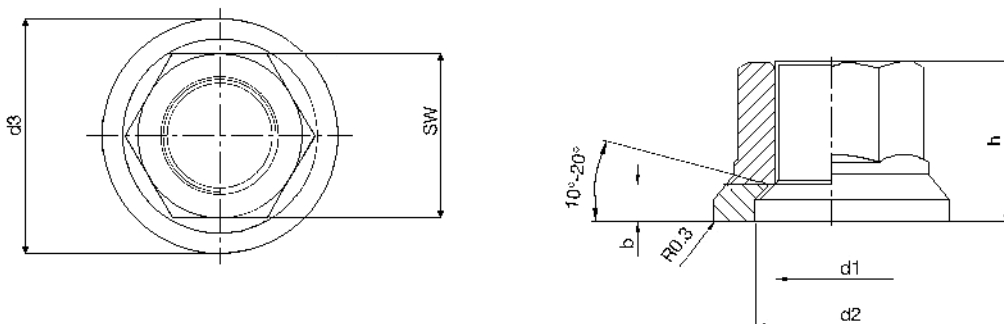
- Tolleranza generale  $\pm 0.3$
- Materiale: Nylon 6/6 colore naturale

- General tolerance  $\pm 0.3$
- Material: Nylon 6/6 coulor natural

- Generaltoleranz  $\pm 0.3$
- Werkstoff: Nylon 6/6 natural



**Dadi Ruota DIN 74361/3**  
**Wheel-Nut DIN 74361/3**

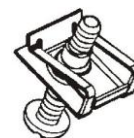


D	sw	d2	d3	h	b
M 18 x 1.5	26-27	25.5	40	24	4.5
M 20 x 1.5	29-27	28.0	45	27	4.5
M 22 x 1.5	31-32	30.0	46	27	4.5

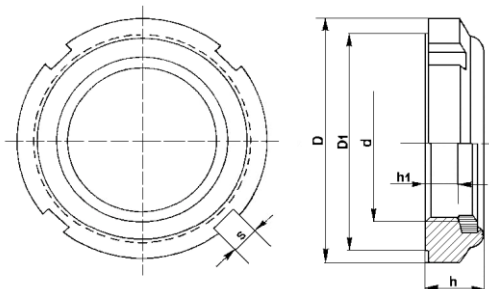
- Materiale Dado: **Classe 10**
- Materiale Rondella: **34 Cr Mo 4**
- Tolleranza filettatura: **6H**

- Material Nut: **Class 10**
- Material Washer: **34 Cr Mo 4**
- Thread tolerance: **6H**

- Werkstoff Mutter: **Klass 10**
- Werkstoff Feder: **34 Cr Mo 4**
- Gewinde-Toleranz: **6H**



**Ghiere Auto-bloccanti con anello in Poliammide – tipo normale e pesante**  
**Self Braking Ferrule with Poyamide insert – normal and heavy type**



Codice	filetto	D	D 1	h	h 1	s	cave
<b>GAL010</b>	M 10x0,75	18	15	7,4	4,5	3	4
<b>GAL012</b>	M 12x1	21	18	7.4	4.5	3	4
<b>GAL015</b>	M 15x1	24	21	8.4	5.5	4	4
<b>GAL017</b>	M 17x1	28	24	8.4	5.5	4	4
<b>GAL020</b>	M 20x1	32	27	9.4	6.5	4	4
<b>GAL025</b>	M 25x1.5	38	33	10.4	6.5	5	4
<b>GAL030</b>	M 30x1.5	44	38	10.9	6.5	5	4
<b>GAL035</b>	M 35x1.5	50	44	11.2	7	5	4
<b>GAL040</b>	M 40x1.5	56	50	12.1	8.2	6	4
<b>GAL045</b>	M 45x1.5	62	55	12.2	8.2	6	4
<b>GAL050</b>	M 50x1.5	68	61	12.7	8.5	6	4
<b>GAL055</b>	M 55x2	75	68	13.2	8.5	7	6
<b>GAL060</b>	M 60x2	80	73	13.3	8.5	7	6
<b>GAL065</b>	M 65x2	85	77	14.3	9.5	7	6
<b>GAL070</b>	M 70x2	92	84	14.4	9.5	8	6
<b>GAL075</b>	M 75x2	98	89	15.3	10.5	8	6
<b>GAL080</b>	M 80x2	105	96	16.3	11.5	10	8
<b>GAL085</b>	M 85x2	110	100	17.3	12.5	10	8
<b>GAL090</b>	M 90x2	120	110	17.5	12.5	10	8
<b>GAL095</b>	M 95x2	125	115	18.5	13.5	10	8
<b>GAL100</b>	M 100x2	130	120	19.5	14.5	10	8

Codice	filetto	h	h 1
<b>GAP020</b>	M 20x1	13	9.5
<b>GAP025</b>	M 25x1.5	14	10.5
<b>GAP030</b>	M 30x1.5	14	10.5
<b>GAP035</b>	M 35x1.5	15	11
<b>GAP040</b>	M 40x1.5	16.5	12
<b>GAP045</b>	M 45x1.5	16.5	12.2
<b>GAP050</b>	M 50x1.5	18.5	12.5
<b>GAP055</b>	M 55x2	18.5	12.5
<b>GAP060</b>	M 60x2	18.5	13.5
<b>GAP065</b>	M 65x2	19	14.5
<b>GAP070</b>	M 70x2	19	14.5
<b>GAP075</b>	M 75x2	20.5	15
<b>GAP080</b>	M 80x2	20.5	16.5
<b>GAP085</b>	M 85x2	21.5	17.5
<b>GAP090</b>	M 90x2	21.5	18.5
<b>GAP095</b>	M 95x2	22	19.5
<b>GAP100</b>	M 100x2	24	20.5

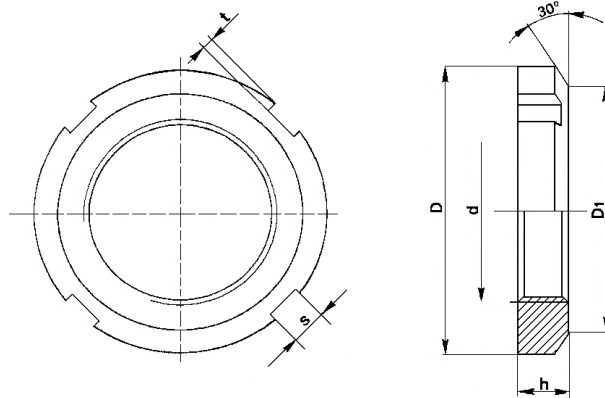
- Materiale: 14H
- Trattamento: ZN 7μ
- Inserto: Nylon 6.6 neutro

- Material: class 14H
- Surface Coating: ZN 7μ
- Insert: Nylon 6.6 neutral

- Werkstoff: Klass 14H
- Oberflächenschutz: ZN 7μ
- Einsatz: Nylon 6.6 neutral



**Ghiere di Bloccaggio tipo KM - DIN 981**  
**Braking Ferrule KM type - DIN 981**

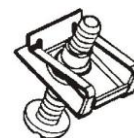


Codice	filetto	D	D 1	h	s	t	Cave	Massa per 1000 pezzi ≈ Kg
<b>KM00</b>	M 10x0.75	18	13.5	4	3	2	4	5
<b>KM01</b>	M 12x1	22	17	4	3	2	4	8
<b>KM02</b>	M 15x1	25	21	5	4	2	4	10
<b>KM03</b>	M 17x1	28	24	5	4	2	4	14
<b>KM04</b>	M 20x1	32	26	6	4	2	4	20
<b>KM05</b>	M 25x1.5	38	32	7	5	2	4	30
<b>KM06</b>	M 30x1.5	45	35	7	5	2	4	45
<b>KM07</b>	M 35x1.5	52	44	8	5	2	4	50
<b>KM08</b>	M 40x1.5	58	50	9	6	2.5	4	70
<b>KM09</b>	M 45x1.5	65	56	10	6	2.5	4	95
<b>KM10</b>	M 50x1.5	70	61	11	6	2.5	4	130
<b>KM11</b>	M 55x2	75	67	11	7	3	6	140
<b>KM12</b>	M 60x2	80	73	11	7	3	6	165
<b>KM13</b>	M 65x2	85	79	12	7	3	6	200
<b>KM14</b>	M 70x2	92	85	12	8	3.5	6	245
<b>KM15</b>	M 75x2	98	90	13	8	3.5	6	290
<b>KM16</b>	M 80x2	105	95	15	8	3.5	8	410
<b>KM17</b>	M 85x2	110	102	16	8	3.5	8	450
<b>KM18</b>	M 90x2	120	108	16	10	4	8	580
<b>KM19</b>	M 95x2	125	113	17	10	4	8	650
<b>KM20</b>	M 100x2	130	120	18	10	4	8	725

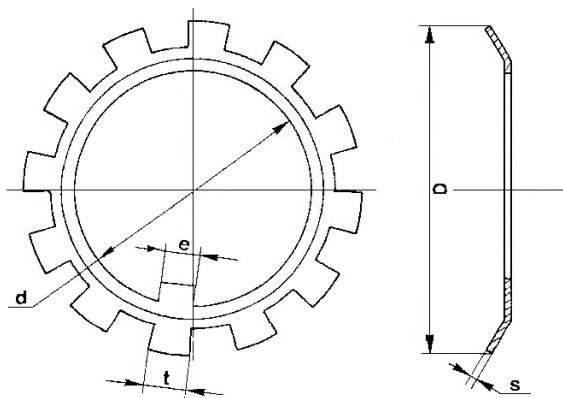
• Materiale: 14H

• Material: 14H

• Werkstoff: 14H



**Rosette di Sicurezza tipo MB - DIN 5406. Per ghiere KM.**  
**Safety Washer MB type - DIN 5406. For KM Ferrule.**



Codice	d	D	e	s	t	Massa per 1000 pezzi ≈ Kg
<b>MB00</b>	10	21	3	1	3	1.31
<b>MB01</b>	12	25	3	1	3	1.92
<b>MB02</b>	15	28	4	1	4	2.53
<b>MB03</b>	17	32	4	1	4	3.13
<b>MB04</b>	20	36	4	1	4	3.5
<b>MB05</b>	25	42	5	1.25	5	6.4
<b>MB06</b>	30	49	5	1.25	5	7.8
<b>MB07</b>	35	57	6	1.25	5	10.4
<b>MB08</b>	40	62	6	1.25	6	12.3
<b>MB09</b>	45	69	6	1.25	6	15.2
<b>MB10</b>	50	74	6	1.25	6	16
<b>MB11</b>	55	81	8	1.25	7	19.6
<b>MB12</b>	60	86	8	1.5	7	25.3
<b>MB13</b>	65	92	8	1.5	7	29
<b>MB14</b>	70	98	8	1.5	8	33.4
<b>MB15</b>	75	104	8	1.5	8	35.6
<b>MB16</b>	80	112	10	1.75	8	46.4
<b>MB17</b>	85	119	10	1.75	8	52.4
<b>MB18</b>	90	126	10	1.75	10	62.3
<b>MB19</b>	95	133	10	1.75	10	67
<b>MB20</b>	100	142	12	1.75	10	76.5

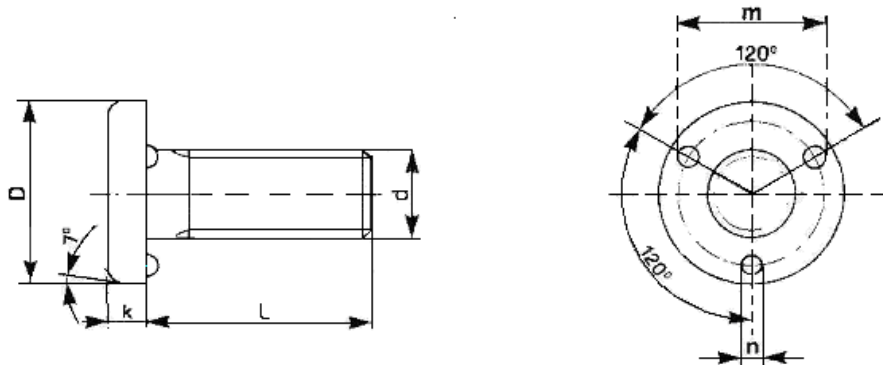
• Tolleranza generale  $\pm 0.3$   
 • Materiale: acciaio  $>300N/mm^2$

• General tolerance  $\pm 0.3$   
 • Material: steel  $>300N/mm^2$

• Generaltoleranz  $\pm 0.3$   
 • Werkstoff: Stahl  $>300N/mm^2$



**Viti a Saldare**  
**Screw to be welded**



Vite	M 4	M 5	M 6	M 8	M 10	M 12
<b>passo</b>	0.7	0.8	1	1.25	1.25	1.25
D	12	13	14	17	19	21
k	2	2.5	2.5	3.5	3.5	4
n	2.5	2.5	2.5	3	3	3
m	9	9.5	10.5	13	15	16.5
<b>Lunghezza</b>	<b>Massa per 1000 pezzi ≈ Kg</b>					
10	2.5	3.95	4.6	9.92		
12	2.66	3.99	4.9	10.33		
14	2.81	4	5.25	10.74		
16	2.96	4.42	5.6	11.15		
20	3.1	5.2	6.43	11.91	17.61	
25		5.33	7.06	13.86	20.18	
30		5.46	7.96	15.1	22.76	32.25
35			8.97	17.44	25.36	36.12
40			9.68	19.78	27.95	40
45			11.18	22.12	30.54	43.87
50			12.68	24.46	33.13	47.74
55				26.8	35.72	51.63
60				29.14	38.31	55.52
65				31.48	42.07	59.41
70				33.82	46.83	63.3

- Filettatura metrica ISO a passo grosso e fine
- Materiale: classe 4.8/8.8

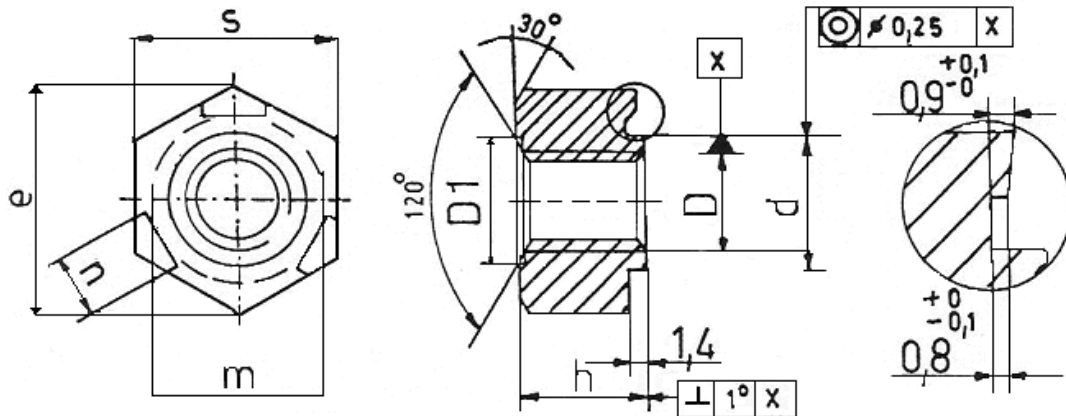
- ISO M- thread in small and big pitch
- Material: class 4.8/8.8

- ISO M- Gewinde im großem und kleinem Gang
- Werkstoff: Klass 4.8/8.8



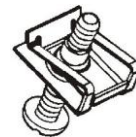


*Dadi Esagonali a Saldare*  
*Hexagonal nuts to be welded*

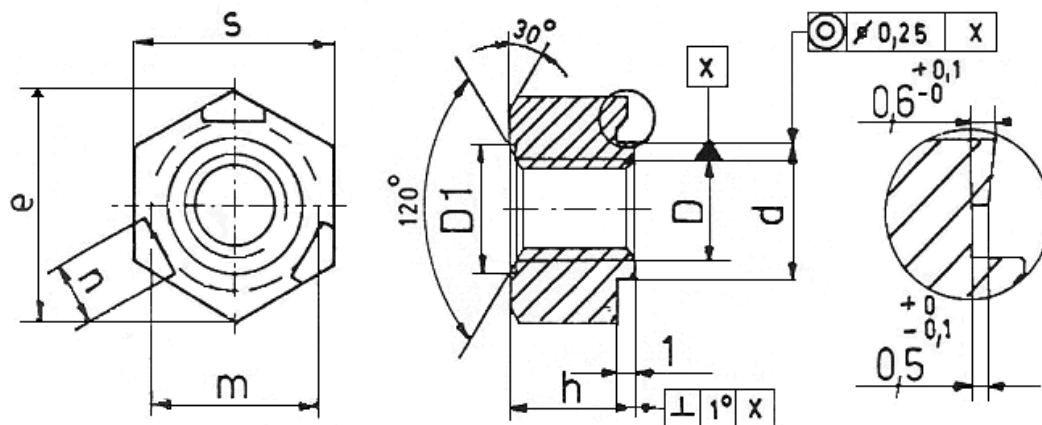


**TABELLA 11-0344 tipo A – Spess Lamiera 0.6-1.2mm – Materiale CL8**

Dimensioni	D 6H	d h 11	D 1 H 12	m ±0.2	n ±0.1	h h13	s j14	e min.	Disegno Iveco
M6x13x8.5	M6x1	8	8.5	10	4.5	8.5	13	14.53	1/67528
M8x17x10	M8x1.25	11	11.5	13	5	10	16	17.77	1/67529
M10x19x12	M10x1.5	13	13.5	15	6	12	17	18.90	1/67530
M10x1.25x19x12	M10x1.25	13	13.5	15	6	12	17	18.90	1/67531



*Dadi Esagonali a Saldare*  
*Hexagonal nuts to be welded*



**TABELLA 11-0344 tipo A – Spess Lamiera 1,2-3 mm – Materiale CL8**

Dimension	D H 6	d h 11	D 1 H 12	m ±0.2	n ±0.1	h h13	s j14	e min.	Dis. Iveco
M6x13x8.5	M6x1	8	8.5	10	4.5	8.5	13	14.38	1/67523
M8x17x10	M8x1.25	11	11.5	14	5	10	17	18.90	1/67524
M10x19x12	M10x1.5	13	13.5	16	6	12	19	21.10	1/67525
M10x1.25x19x12	M10x1.25	13	13.5	16	6	12	19	21.10	1/67533
M12x22x14.5	M12x1.75	16	15.5	18.5	7	14.5	22	24.49	1/67526
M12x1.5x14.5	M12x1.5	16	15.5	18.5	7	14.5	22	24.49	1/67527
M12x1.25x14.5	M12x1.25	16	15.5	18.5	7	14.5	22	24.49	1/67534
M14x24x17	M14x2	17.5	17.5	20	8	17	24	26.75	1/67535
M14x1.5x24x17	M14x1.5	17.5	17.5	20	8	17	24	26.75	1/67536

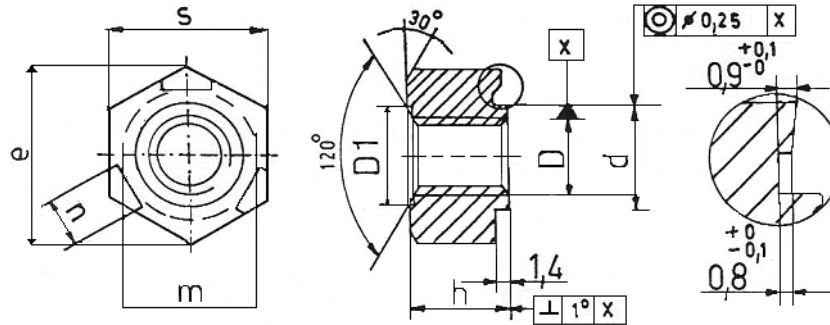
• Materiale: classe 8-10

• Material: class 8-10

• Werkstoff: Klass 8-10

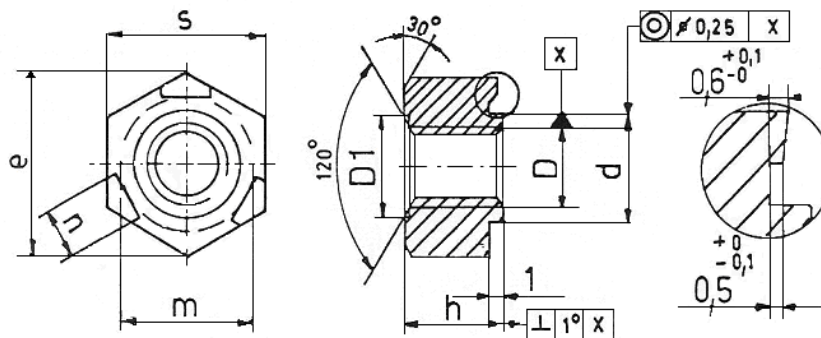


*Dadi Esagonali a Saldare*  
*Hexagonal nuts to be welded*



**TABELLA 10143 Dadi ALTI- tipo A – Spessore Lamiera  $\leq 1.20\text{mm}$  – Material CL8**

Dimensioni	D 6H	d h 11	D 1 H 12	m $\pm 0.2$	n $\pm 0.1$	h h13	s h13	e min.	Dis. FIAT
M6x13x8.5	M6x1	8	8.5	10	4.5	8.5	13	14.53	1/41007
M8x16x10	M8x1.25	11	11.5	13	5	10	16	17.77	1/41008
M10x1.25x17x12	M10x1.25	13	13.5	15	6	12	17	18.90	1/41009



**TABELLA 10143 Dadi ALTI- tipo A – Spessore Lamiera  $> 1.20\text{mm}$  – Materiale CL8**

Dimension	D H 6	d h 11	D 1 H 12	m $\pm 0.2$	n $\pm 0.1$	h h13	s j14	e min.	Des. FIAT
M6x13x8.5	M6x1	8	7	10	4.5	8.5	13	14.38	1/41000
M8x17x10	M8x1.25	11	10	14	5	10	17	18.90	1/41001
M10x1.25x19x12	M10x1.25	13	12	16	6	12	19	21.10	1/41002
M12x1.25x22x14.5	M12x1.25	16	14	18.5	7	14.5	22	24.49	1/41003
M14x1.5x24x17	M14x1.5	18	17	21.5	11.5	17	24	26.75	1/41004
M16x1.5x27x18	M16x1.5	20	19	23.5	11.5	18	27	30.14	1/41005

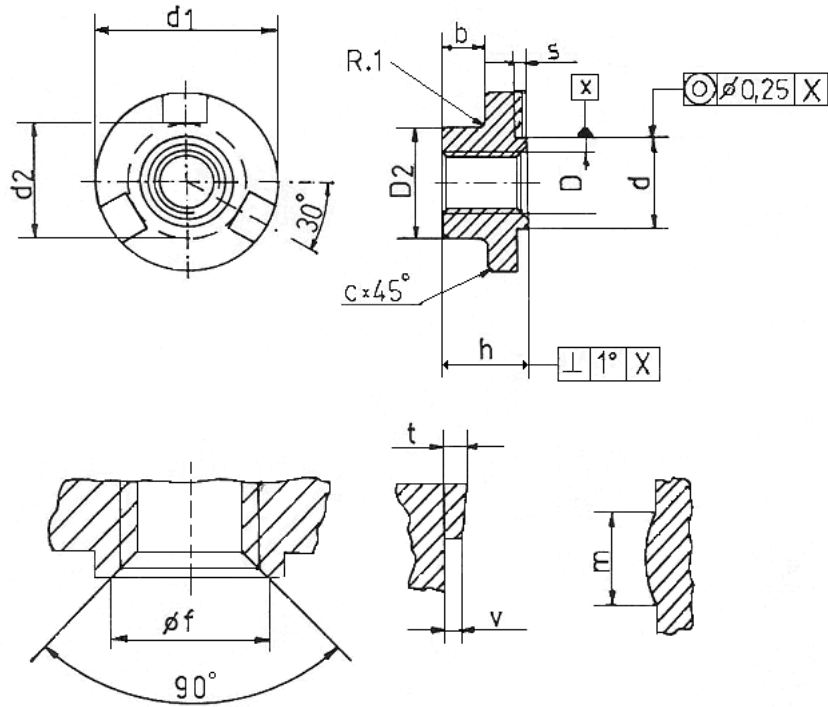
• Materiale: classe 8-10

• Material: class 8-10

• Werkstoff: Klass 8-10



**Boccole Filettate a Saldare**  
**Threaded Bush to be welded**



**TABELLA 10165 Boccole Filettate a Saldare – tipo A – Materiale CL8**

D 6H	d h11	D2 h13	d1 h13	d2 ±0.2	h	s ±0.1	b +0 -0.3	c	t +0.1 -0	v +0 -0.1	m	f +0.5	Dis. FIAT
M6	8	12	16	12	6	1.4	2	1	0.9	0.8	4.5	7	1/36953
M8	11	14	22	14	9.5	1	5	0.5	0.6	0.5	5	9	1/36956
M8	11	14	22	14	10	1.4	5	0.5	0.6	0.8	5	9	1/36955
M8	11	14	22	14	17	1	12	0.5	0.6	0.5	5	9	1/36957
M10x1.25	13	16	24	16.5	12	1	5.5	1	0.6	0.5	6	11	1/36960
7/16-20UNF	13.5	17	28	20.5	12	1	7	1	0.6	0.5	6	12	1/36954
M8	11	14	22	14	17	1	12	0.5	0.6	0.5	5	9	1/05529

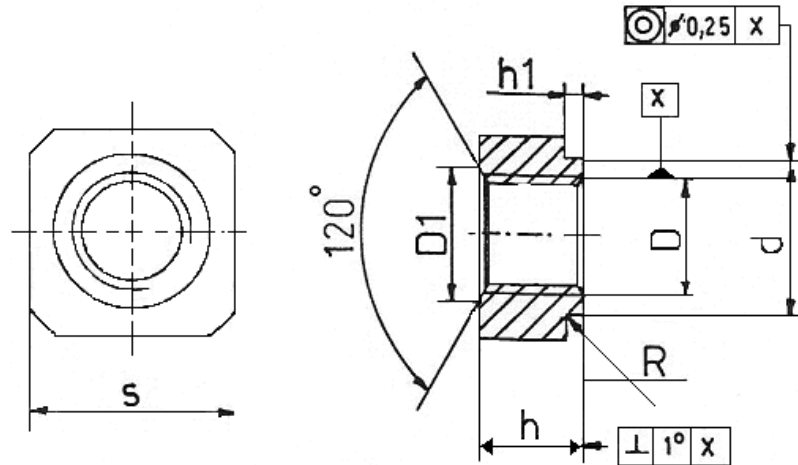
• Materiale: classe 8-10

• Material: class 8-10

• Werkstoff: Klass 8-10



*Dadi Quadri con collarino*  
*Square nuts with centered*



**TABELLA 11-0354**

Dadi quadri con collarino di centraggio								
Dimension	D H 6	d h 11	D 1	h h14	h1 ±0.1	s h13	R	Dis. Iveco
M4x10x5.3	M4x0.7	8	5	5.3	0.8	10	0.2	1/71042
M5x10x5.8	M5x0.8	8	6	5.8	0.8	10	0.2	1/71043
M6x10x5.8	M6x1	8	7	5.8	0.8	10	0.2	1/71044
M8x17x8.5	M8x1.25	13	9	8.5	1.5	17	0.2	1/71045
M10x17x8.5	M10x1.5	13	11	8.5	1.5	17	0.2	1/71046
M10x1.25x17x8.5	M10x1.25	13	11	8.5	1.5	17	0.2	1/71029
M12x19x10	M12x1.75	15	13	10	2	19	0.2	1/71047
M12x1.5x19x10	M12x1.5	15	13	10	2	19	0.2	1/71030
M12x1.25x19x10	M12x1.25	15	13	10	2	19	0.2	1/71031
M14x19x10	M14x2	17	13	10	2	19	0.2	1/71048

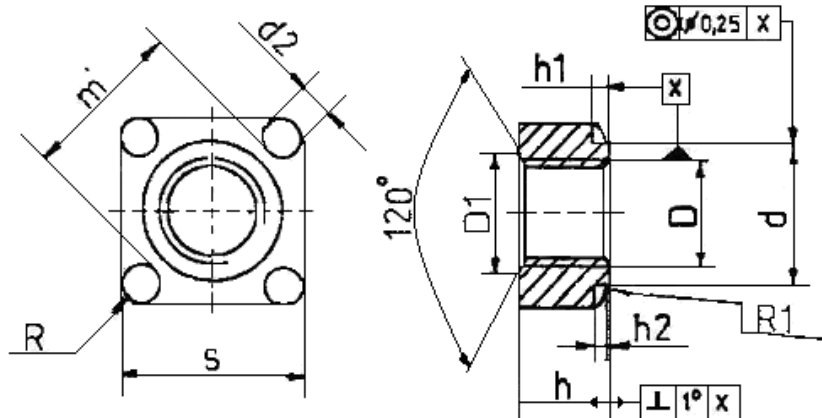
• Materiale: classe 8-10

• Material: class 8-10

• Werkstoff: Klass 8-10



*Dadi Quadri a Saldare*  
*Square nuts to be welded*



**TABELLA 10143**

**Dadi quadri a saldare con collarino di centraggio**

Dimension	D H 6	d h 11	d2 +0.3 -0	D1 H13	m ±0.2	h h14	H1 ±0.1	H2 +0 -0.15	S h13	R	R1	Dis. FIAT
M4x11x5.5	M4x0.7	6	2	5	10.5	5.5	1	0.5	11	1	1.25	1/40500
M5x11x5.5	M5x0.8	7	2	6	10.5	5.5	1	0.5	11	1	1.25	1/40501
M6x11x5.5	M6x1	8	2	7	10.5	5.5	1	0.5	11	1	1.25	1/40502
M8x17x8.5	M8x1.25	10.5	3	9.5	17	8.5	1.2	0.7	17	1.5	1.95	1/40503
M10x1.25x17x8.5	M10x1.25	12.5	3	11.5	17	8.5	1.2	0.7	17	1.5	1.95	1/40504
M10x1x17x8.5	M10x1	12.5	3	11.5	17	8.5	1.2	0.7	17	1.5	1.95	1/40506
M12x1.5x19x10	M12x1.5	14.5	3	13.5	19.5	10	1.2	0.7	19	1.5	1.95	1/40507
M14x1.5x22x11.5	M14x1.5	17	3.5	16	22	11.5	1.5	1	22	1.8	2	1/40505

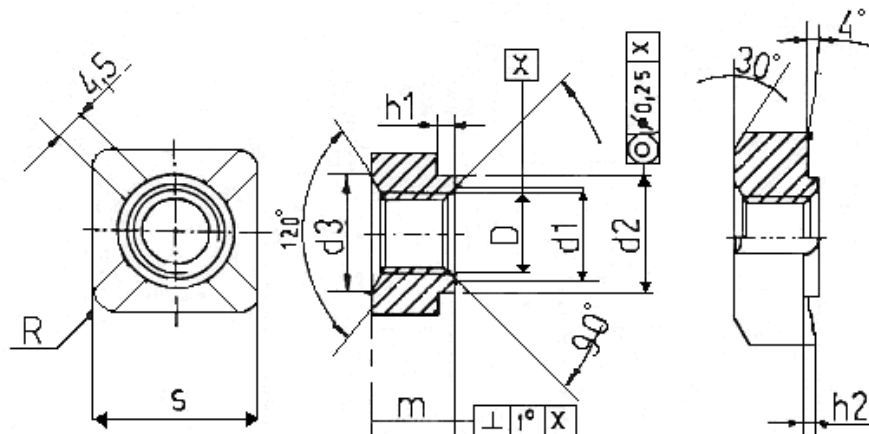
• Materiale: classe 8-10

• Material: class 8-10

• Werkstoff: Klass 8-10



## Dadi Quadri a Saldare Square nuts to be welded



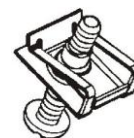
**TABELLA 10143/23**

Dadi quadri con bugne rinforzate con collarino di centraggio											
Dimension	D H 6	d1 ±0.2	d2 +0.2 -0	d3 +0.1 -0.2	m +0.5 -0	H1 +0.25 -0.1	H1 ±0.1	H2 ±0.1	S ±0.25	R	Des. FIAT
M4x12x4	M4x0.7	5.5	7	8	4	1.3	8.5	1	12	6.6	1/40609
M6x13x5	M5x0,8	6	8	9	4,3	1.3	10	1	13	7.3	1/40610
M5x13x4,3	M6x1	7	9	10	5	1.3	12	1	13	7.3	1/40611
M8x15x7.4	M8x1.25	9	11	11	7.4	1.5	12	1	15	8.5	1/40612
M10x1.25x17x8.8	M10x1.25	11	13	13	8.8	1.5	14.5	1	17	10	1/40613
M12x1.25x21x10.8	M12x1.25	13	15	15	10.8	1.5	14.5	1	21	12	1/40608

• Materiale: classe 8-10

• Material: class 8-10

• Werkstoff: Klass 8-10



## Indice/ Contents

✚ Clips per Viti Parker Clips for Parker Screw	pag. 01
✚ Clips per Viti Parker Clips for Parker Screw	pag. 02
✚ Clips per Viti Metriche Clips for M- Screw	pag. 03
✚ Clips per Viti Metriche per elevate coppie di serraggio - Serie Nut M- Screw Clips for high tightened pairs - Nut Series	pag. 04
✚ Clips per alti spessori per viti autofilettanti - Serie Nut high Thickness clips for self-tapping screw - Nut Series	pag. 05
✚ Clips per Viti Metriche per elevate coppie di serraggio - Serie Nut M- Screw Clips for high tightened pairs - Nut Series	pag. 06
✚ Dadi in Gabbia Quadra Square cage nuts	pag. 07
✚ Dadi in Gabbia Quadra Square cage nuts	pag. 08
✚ Dadi in Gabbia a continuità di massa Square cage nuts for Earth continuity	pag. 09
✚ Dadi in Gabbia con Alette Cage nuts with Vanes	pag. 10
✚ Viti in Gabbia con alette Cage screw with Vane	pag. 11
✚ Dadi in Gabbia Tonda Round Cage nuts	pag. 12
✚ Dadi in gabbia tonda in Nylon Nylon Round Cage nuts	pag. 13
✚ Anelli a Corona Crown Ring	pag. 14
✚ Fissatori con cappuccio Crown fixer with cap	pag. 15
✚ Fissatori con cappuccio Bordato Crown fixer with boarder cap	pag. 16
✚ Fermagli di sicurezza Safety fittings	pag. 17
✚ Perni per Chiusure Rapide Pivot for Rapid Fastening	pag. 18
✚ Molle per Chiusure Rapide Spring for rapid Fastening	pag. 19





✚ Molle per Chiusure Rapide - tipo pesante Spring for rapid Fastening - heavy type	pag. 20
✚ Piastrine semplici per perni lisci Simple plaques for pivots	pag. 21
✚ Piastrine semplici per viti Parker Simple plaques for Parker Screw	pag. 22
✚ Madreviti standard Standard Screw Grommets	pag. 23
✚ Rivetti in Nylon Rivets in Nylon to	pag. 24
✚ Rivetti in Nylon ad espansione Rivets in Nylon to expansion	pag. 25
✚ Rivetti in Nylon Dentati Rivets toothed typ	pag. 26
✚ Dadi Ruota DIN 74361/3 Wheel-Nut DIN 74361/3	pag. 27
✚ Ghiere Auto-bloccanti con anello in Poliammide - tipo normale e pesante Self Braking Ferrule with Poyamide insert - normal and heavy type	pag. 28
✚ Ghiere di Bloccaggio tipo KM - DIN 1804 Braking Ferrule KM type - DIN 1804	pag. 29
✚ Rosette di Sicurezza tipo MB - DIN 5406. Per ghiere KM Safety Washer MB type - DIN 5406. For KM Ferrule	pag. 30
✚ Viti a Saldare Screw to be welded	pag. 31
✚ Dadi Esagonali a Saldare per lamiera da 1mm Hexagonal nuts to be welded	pag. 32
✚ Dadi Esagonali a Saldare per lamiera da 2mm Hexagonal nuts to be welded	pag. 33
✚ Dadi Esagonali a Saldare tab, FIAT Hexagonal nuts to be welded	pag. 34
✚ Boccole Filettate a Saldare Threaded Bush to be welded	pag. 35
✚ Dadi Quadri con collarino Square nuts with centered	pag. 36
✚ Dadi Quadri a saldare Square nuts with centered	pag. 37
✚ Dadi Quadri a saldare con bugne rinforzata Square nuts with center	pag. 38